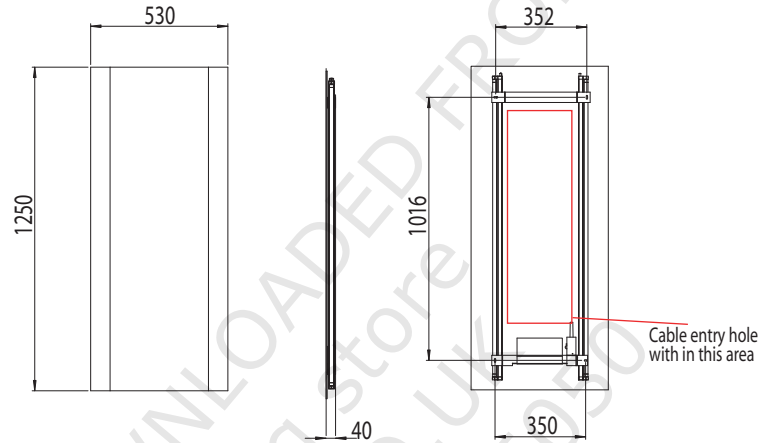


# Fuji Dressing Data Sheet



Part Number:

0519 Fuji Dressing



2x 28w T5    IP20    ③ Zone    Class 1    F

Gross weight: 6.1 Kg  
Outer carton quantity: 2

23.08.06

THIS DOCUMENT HAS BEEN DOWNLOADED FROM  
all-lit-up - the online lighting store  
PART OF ALL-UP-AND-ON.CO.UK  
cs@allupandon.co.uk 0845 034 5030